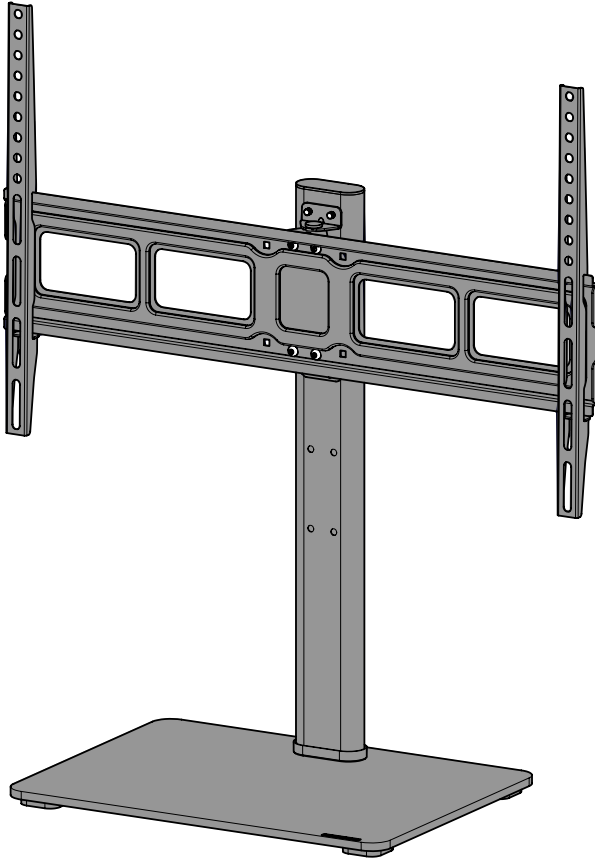


472704 Rev00

Please read these instructions thoroughly before installation.



If you have any questions or need spare parts don't worry, we're happy to help.

Customer Helpline

0333 320 0463

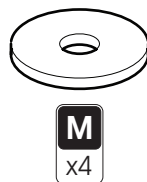
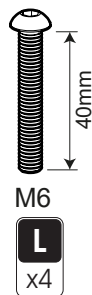
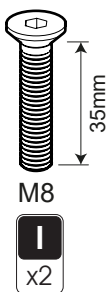
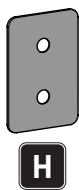
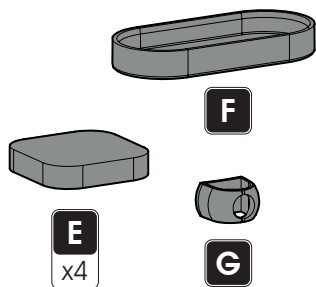
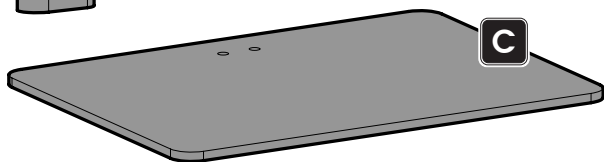
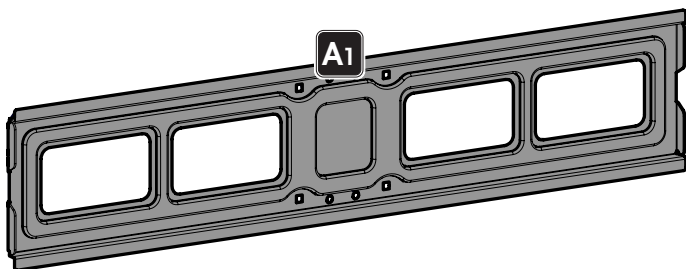
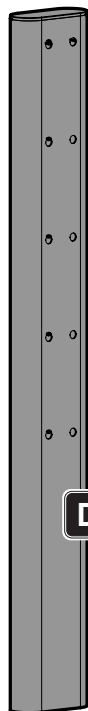
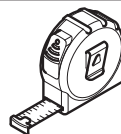
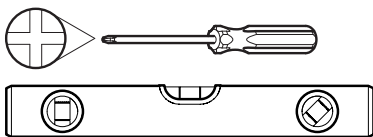
Helpline Open Mon to Thurs 9am - 5pm, Fri 9am - 4pm

Online Support

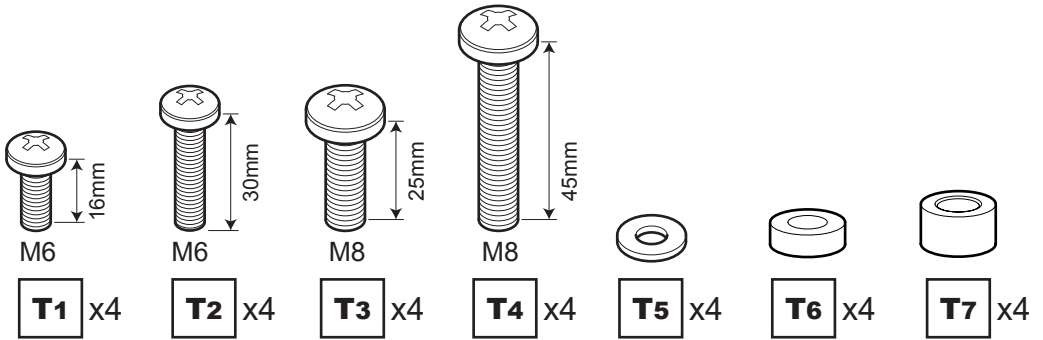
www.avfgroup.com/support

Boxed Parts

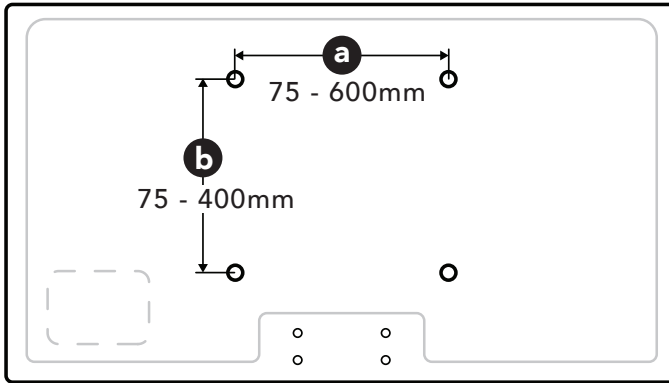
Tools Recommended



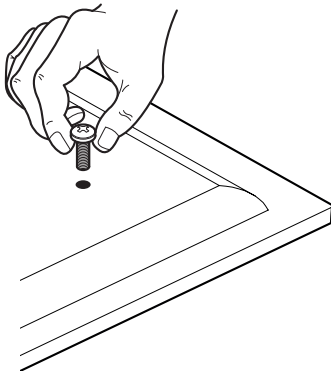
TV Screws, Reducers and Spacers



Measure the TV fixing holes Width and Height



If width **a** is greater than 600mm or height **b** greater than 400mm
STOP installation now and contact the customer helpline.

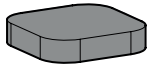
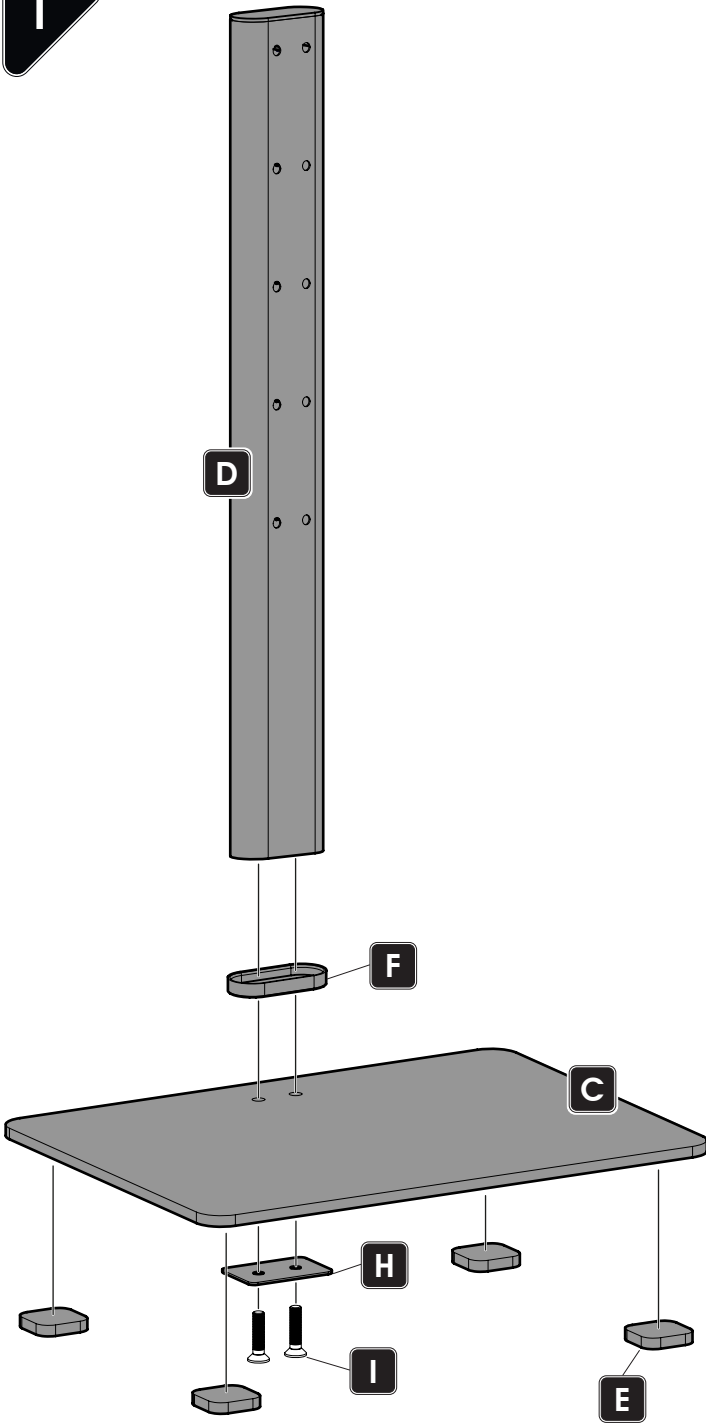


Determine which diameter TV Screws fit your TV and put them to one side.

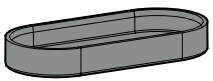
M6 or M8

We will select the correct length later.

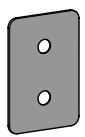
1



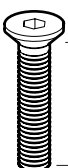
E
x4



F

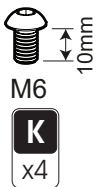
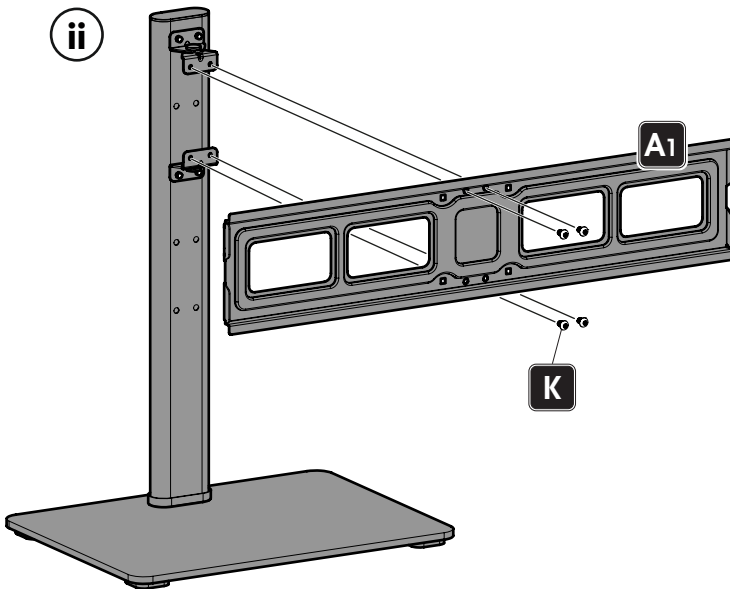
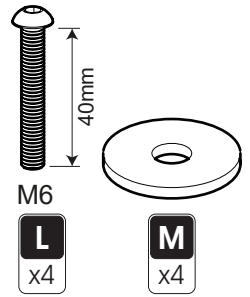
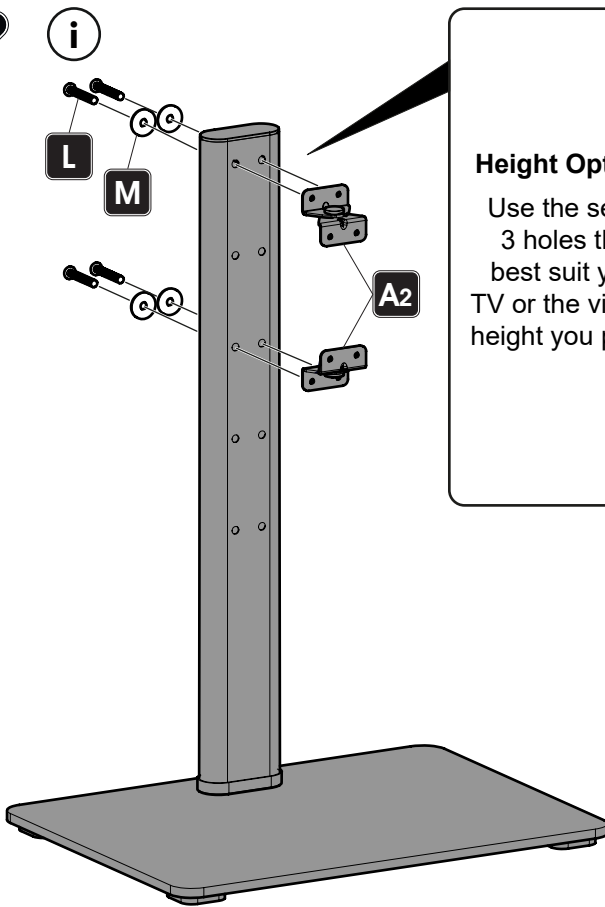


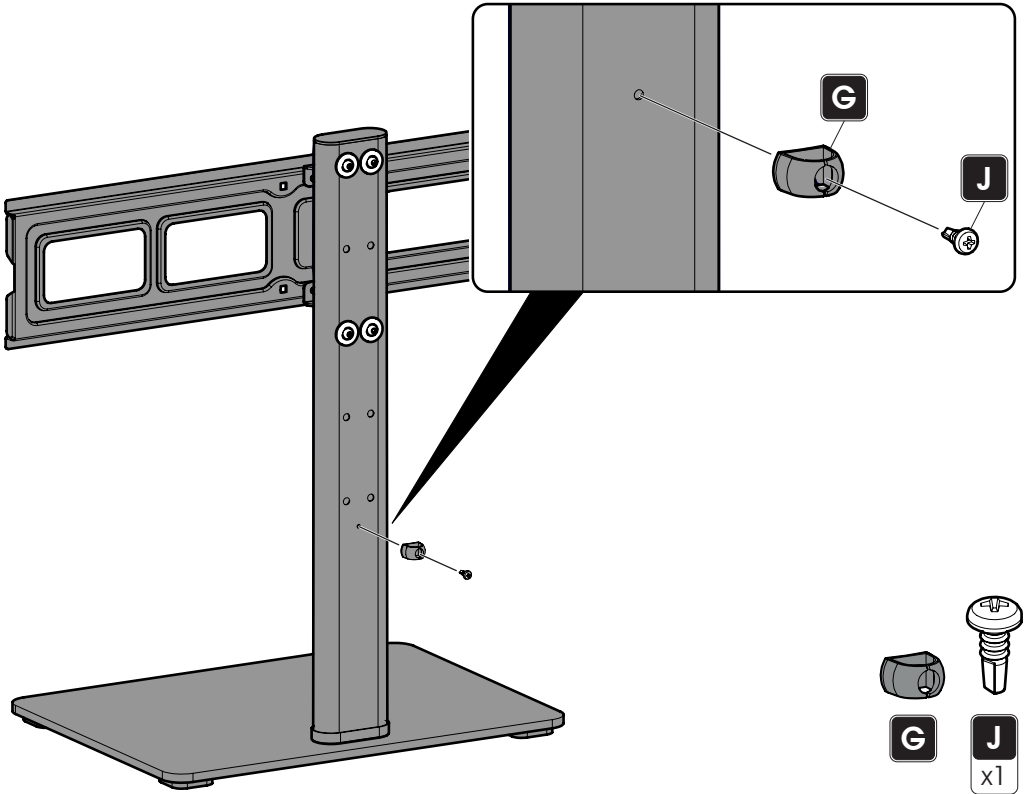
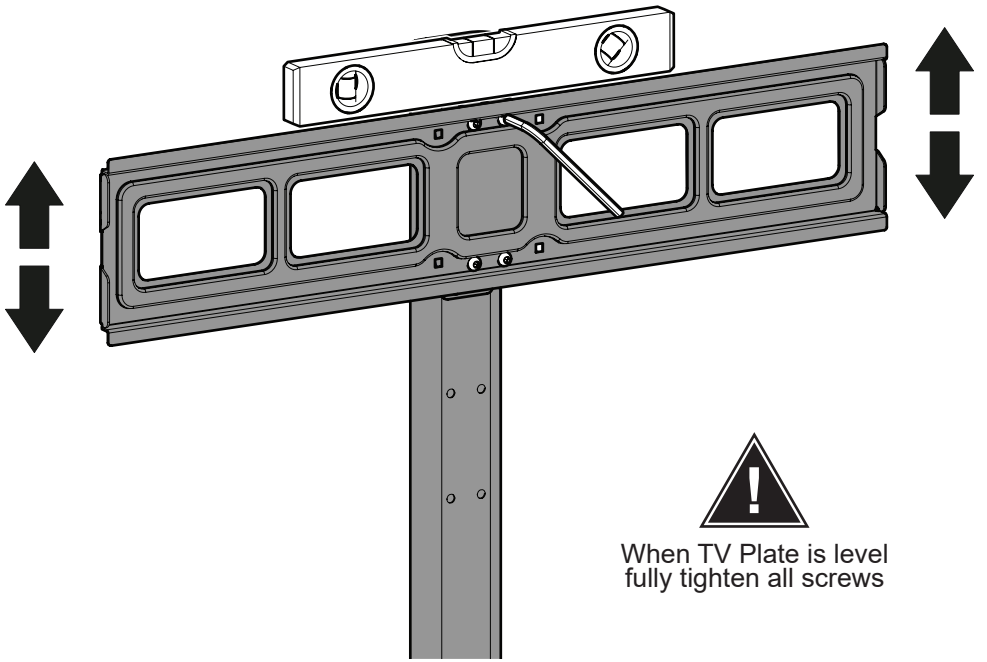
H

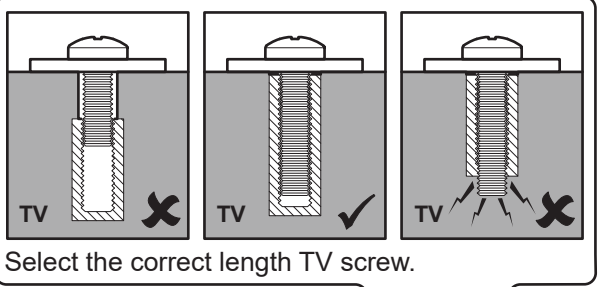


M8

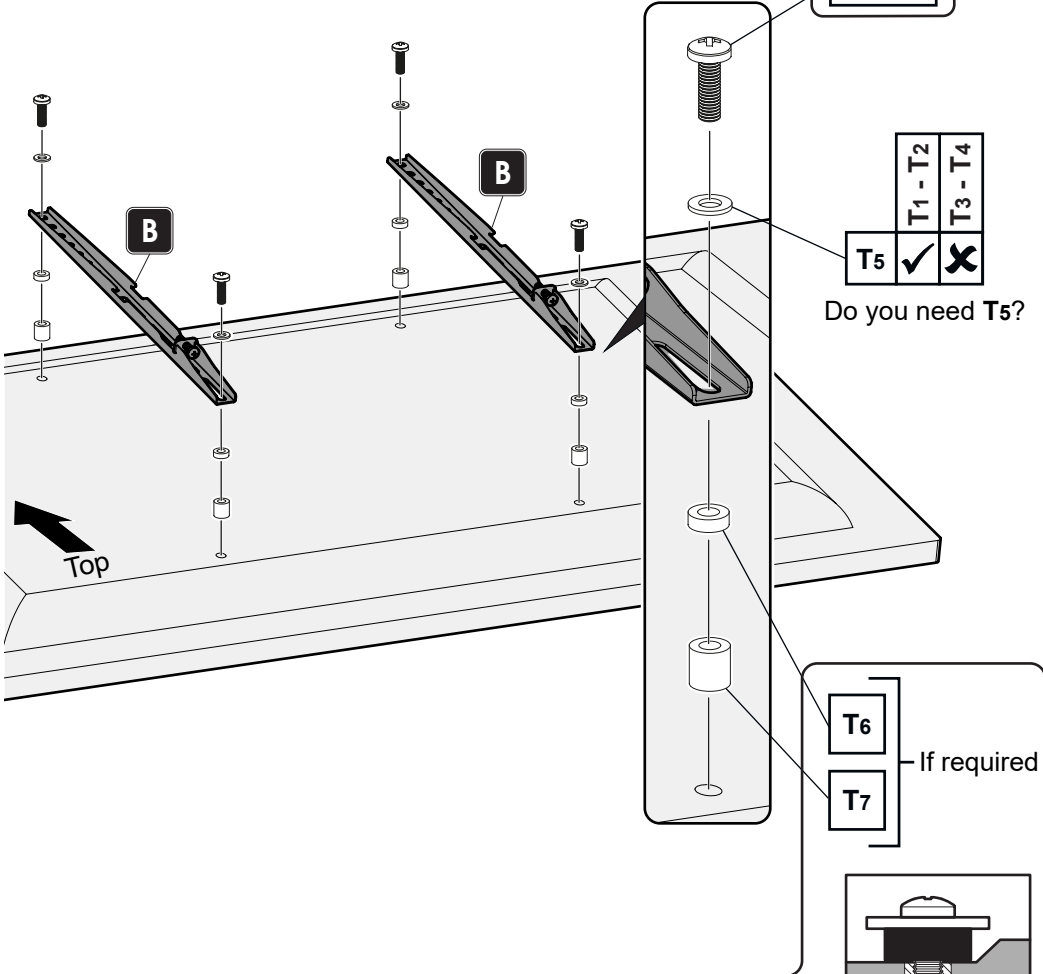
I
x2

2

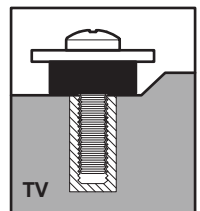




T1 - T4



You may need to use Spacers T6 or T7 if the screws are too long or the back of your TV is not flat.



4

